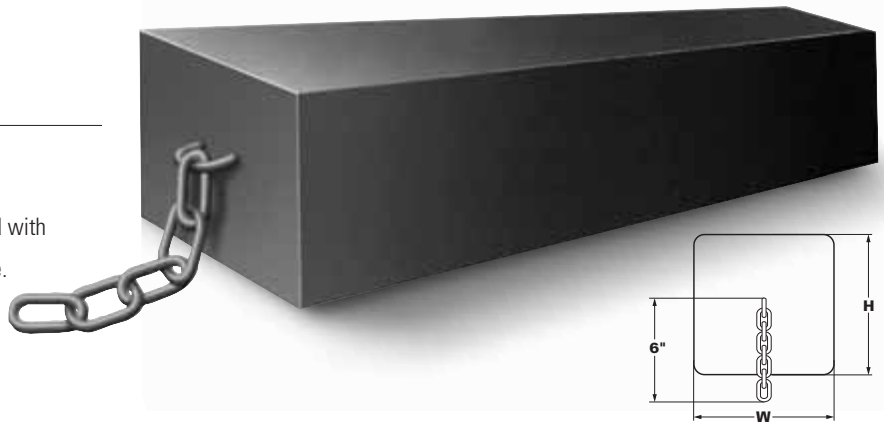


# 600 SERIES

## RECTANGULAR CHAIN

Unique Duramax® rectangular solid bumper is extruded with a continuous chain throughout the length of the piece.

Standard leaders on ends are 6 inches long, but longer lengths are available upon request.



CODE NO.	DURAMAX® PART NO.	BASE WIDTH (W)	HEIGHT (H)	CHAIN SIZE	WT./FT.	PROOF COIL CHAIN LOAD LIMIT	ALLOY CHAIN LOAD LIMIT
DB-604	802060401	5"	5"	1/2"	14 LBS.	4250 LBS.	11250 LBS.
DB-605	802060501	6 1/2"	5"	1/2"	18 LBS.	4250 LBS.	11250 LBS.
DB-606	802060601	6 1/2"	6"	1/2"	22 LBS.	4250 LBS.	11250 LBS.
DB-608	802060801	8"	8"	1/2"	36 LBS.	4250 LBS.	11250 LBS.
DB-609	802060901	10"	8"	5/8"	46 LBS.	6375 LBS.	16500 LBS.
DB-610	802061001	10"	10"	5/8"	65 LBS.	6375 LBS.	16500 LBS.
DB-612	802061201	12"	12"	5/8"	85 LBS.	6375 LBS.	16500 LBS.
DB-614	802061401	14"	14"	5/8"	110 LBS.	6375 LBS.	16500 LBS.

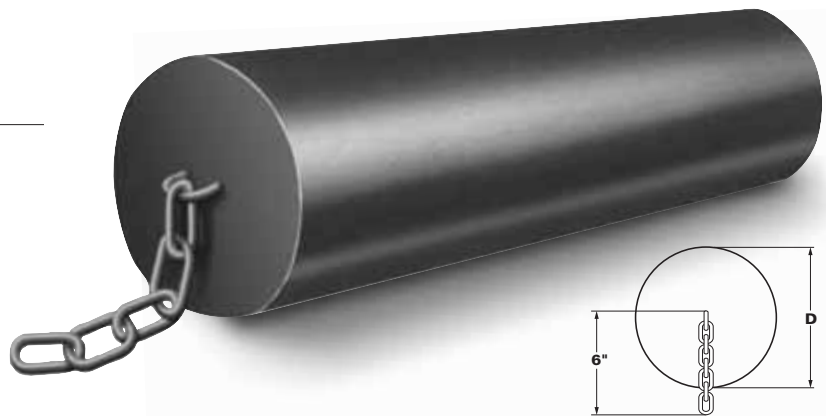
EXTRUSION W/CHAIN

# 700 SERIES

## CYLINDRICAL CHAIN

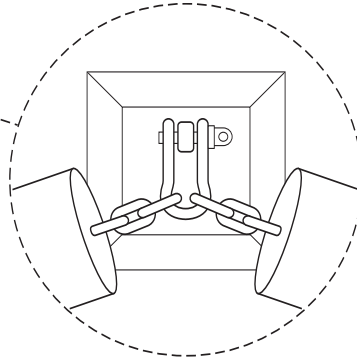
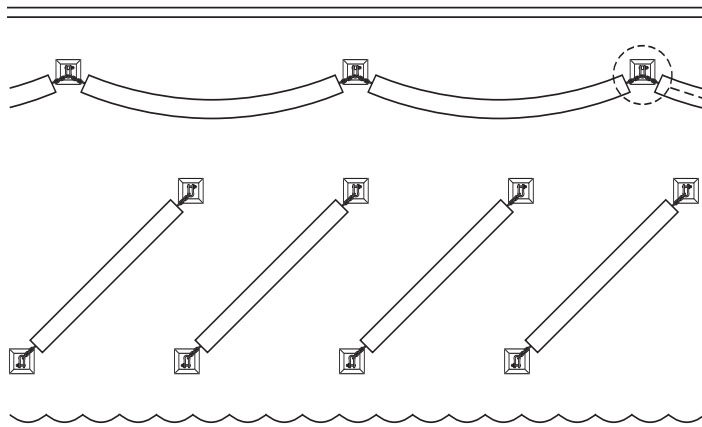
Unique Duramax® cylindrical solid bumper is extruded with a continuous chain throughout the length of the piece.

Standard leaders on ends are 6 inches long, but longer lengths are available upon request.

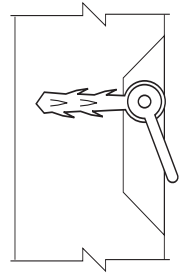


CODE NO.	DURAMAX® PART NO.	OUTSIDE DIAM. (D)	CHAIN SIZE	APPROX. WT./FT.	PROOF COIL CHAIN LOAD LIMIT	ALLOY CHAIN LOAD LIMIT
DB-705	802070501	5"	1/2"	12 LBS.	4250 LBS.	11250 LBS.
DB-706	802070601	6"	1/2"	16 LBS.	4250 LBS.	11250 LBS.
DB-707	802070701	7"	1/2"	23 LBS.	4250 LBS.	11250 LBS.
DB-708	802070801	8"	5/8"	30 LBS.	6375 LBS.	16500 LBS.
DB-709	802070901	9"	5/8"	37 LBS.	6375 LBS.	16500 LBS.
DB-710	802071001	10"	3/4"	47 LBS.	9125 LBS.	23000 LBS.
DB-711	802071101	11"	3/4"	55 LBS.	9125 LBS.	23000 LBS.
DB-712	802071201	12"	1"	68 LBS.	12400 LBS.	38750 LBS.

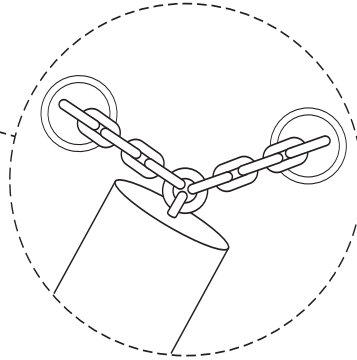
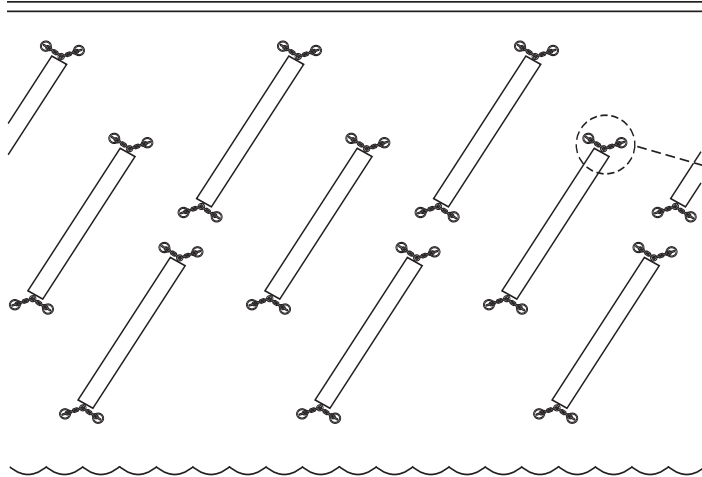
# 600 & 700 SERIES Configurations



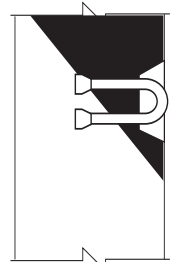
**DETAIL OF "EYEBOLT" & FENDER WITH EMBEDDED CHAIN**



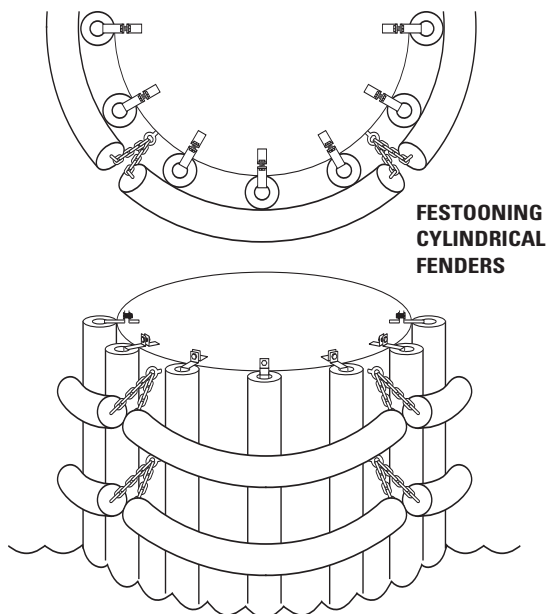
**CROSS SECTION OF RECESSED "EYEBOLT" EMBEDDED IN CONCRETE**



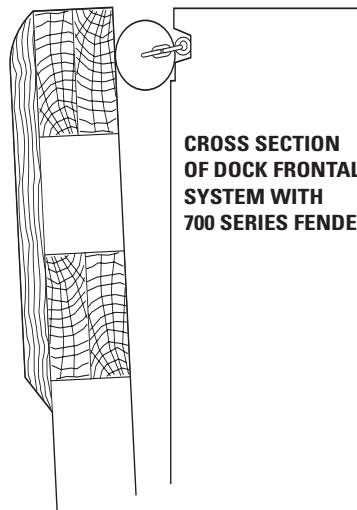
**DETAIL OF "EYE RING" & FENDER WITH EMBEDDED CHAIN**



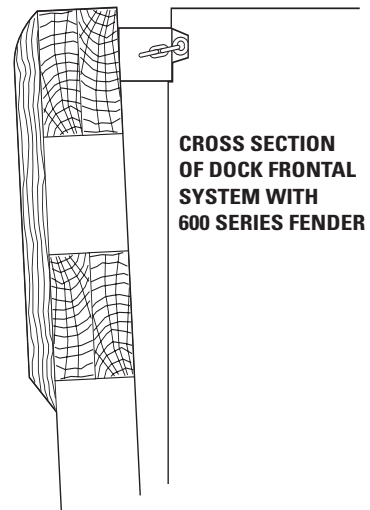
**CROSS SECTION OF RECESSED "EYE RING" EMBEDDED IN CONCRETE**



**FESTOONING CYLINDRICAL FENDERS**



**CROSS SECTION OF DOCK FRONTAL SYSTEM WITH 700 SERIES FENDER**



**CROSS SECTION OF DOCK FRONTAL SYSTEM WITH 600 SERIES FENDER**

EXTRUSION W/CHAIN